

Poollift

DELPHIN

The POOLLIFT “DELPHIN” was designed to enable wheelchair users or otherwise handicapped people to enjoy a cool refreshment or the salubrious water gymnastics.

The simple construction and the appealing design make this of stainless steel manufactured and hydraulic water powered lift perfect for the operating range in both public and private pools.

Ease and simplicity of operation are the key features of this lift. No attendant help is needed to use the lift. Control levers at the entrance level as well as at the water level allow that active wheelchair users can handle the lift without assistance. The height of the seat can be individually adjusted and is automatically turned by 90° when the seat is lowering or lifting.

The Poollift is installed as easy as it is uninstalled; No underwater mounting is necessary! The water pressure of the buildings water installation can be used (minimum pressure 3,8bar). Furthermore a wheel assembly can be provided in order to facilitate the removal of the lift for storage.



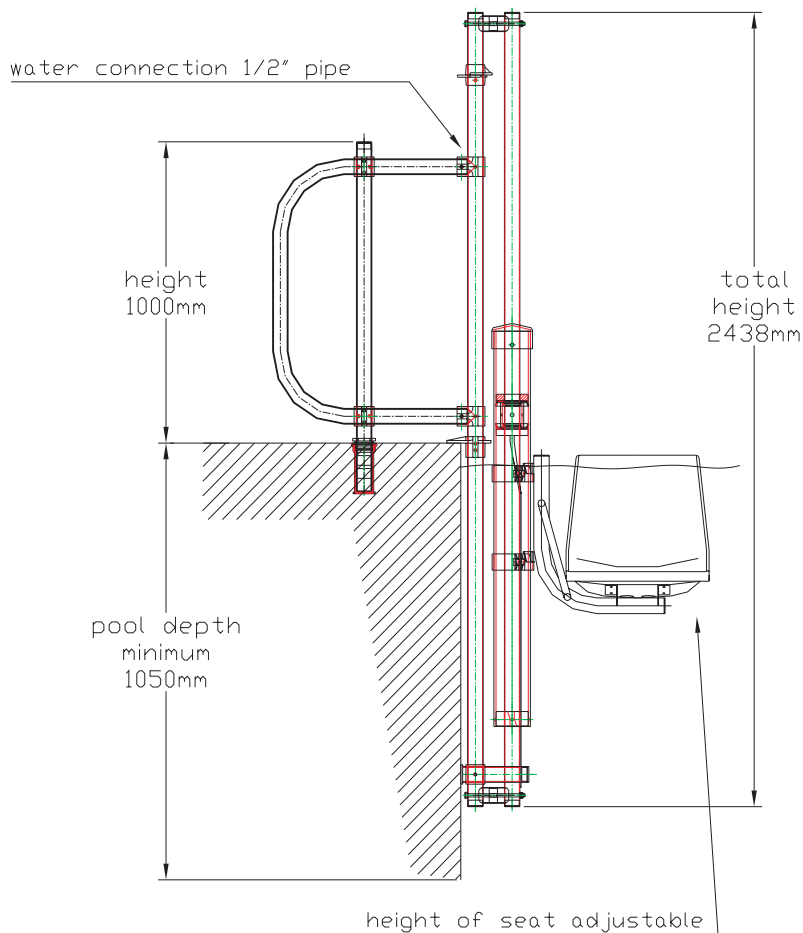
Characteristics:

- ◆ Simple operation
- ◆ No assistance required
- ◆ Safe and reliable use
- ◆ Appealing design in stainless steel
- ◆ Hydraulically powered
- ◆ No underwater installations
- ◆ Easily installed and uninstalled
- ◆ Applicable indoors & outdoors

*The solution for
your swimming pool*

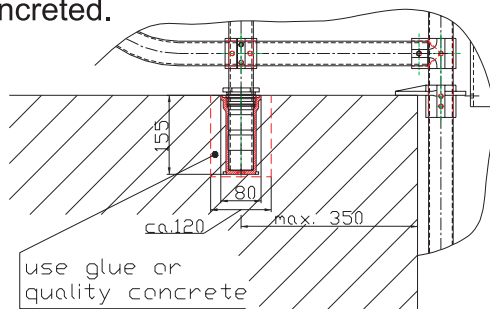


By means of a simple operating lever the seat comes down into the water or raise the user to the edge of the pool. Meanwhile the seat turns through 90° and allows the user to change to the wheelchair.



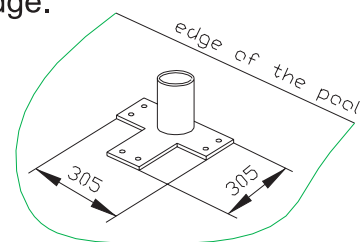
Fixing - Version A

Hole with a diameter of 120mm and a depth of 155mm has to be drilled into the floor in which the countersunk socket will be glued or concreted.



Fixing - Version B

Fastening console has to be screwed onto the surface of the pool edge.



The fixing can be adapted to the constructional conditions.

A maximum lifting height of 1220mm is possible.

Specifications:

- ◆ Max. lifting capacity 120kg
- ◆ Lifting height (standard): . . . 1067mm
- ◆ Max. Lifting height: 1220mm
- ◆ Min. pool depth: 1050mm
- ◆ Necessary water pressure: . 3.8bar

DELPHIN

Poollift

For further information contact: